



SPECIFICATIONS

Rated Current: 3.0AMP
 Contact Resistance: 20mΩ Max
 Withstand Voltage: 1000V AC/DC
 Insulation Resistance: 1000MΩ Min
 Operation Temperature: -40°C to +105°C

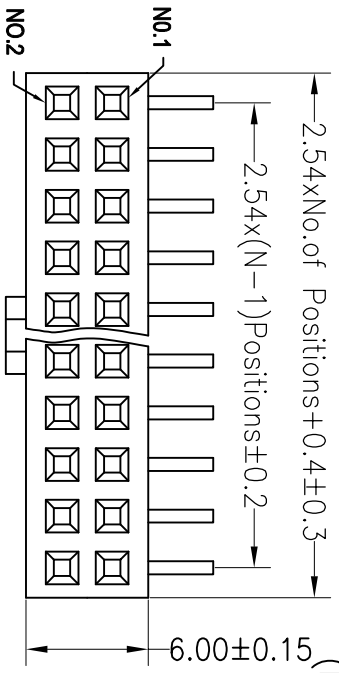
Contact Material: Brass

Contact Plating: Au or Sn Over Ni

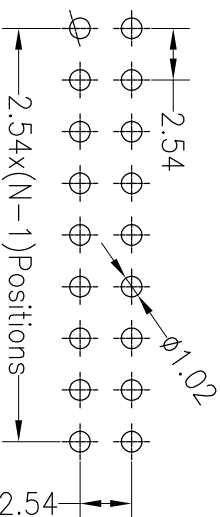
Insulator Material: Polyester (UL94V-0)

Standard: PBT

Max. Processing Temp: 180°C for 30-60 seconds
 (200°C for 10 seconds)



Recommended P.C.B Layout (Top Side)
 (PCB BOARD TOLERANCE ±0.05)

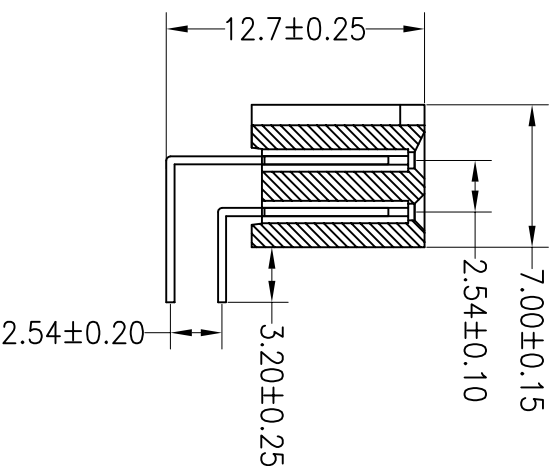
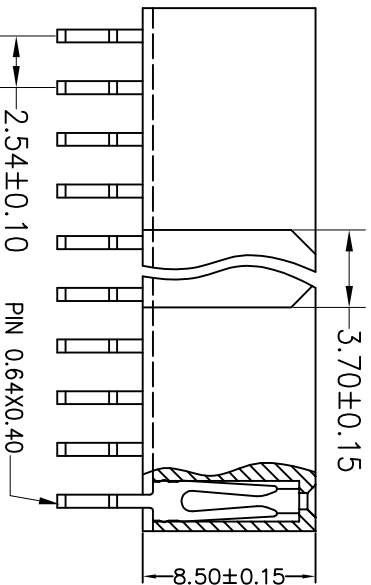


Ordering Information

2285 02 XX X N XX RYW X 01

No. of Pins Per Row: 2*40
 Insulator Material Option:
 A=BK-PBT
 C=BK-PA6T
 D=BK-PA46
 E=BK-PA9T
 F=BK-LCP
 Contact Plating:
 G1: Gold Flash
 G2: 1.5U" Gold
 G3: 2U" Gold
 G4: 3U" Gold
 G5: 5U" Gold
 S0: Gold Flash/Tin
 SN: Tin

Packing:
 0=PE Bag
 A=Tray
 T=Tube
 P=Tube+Cap
 R=Reel+Cap
 M=Reel+Mylar



OPERATION		DRAW		SCALE		FIT		PART NO.	
X.X	±0.30	YYuSheng	12.03.28	UNIT	mm	A4	1/1	228502XXXXXXRYWX01	
X.XX	±0.20	CHECK		SIZE		SHEET		2.54X8.5PF 2XNPN 带全凸W=7.0 90°	
X.XXX	±0.10	APPROVE		PROJ.		TITLE:			
REV	DATE	MODIFICATION DESCRIPTION		CHANGE		DIM		TOL	
1									

JILIN 深圳市锦凌电子有限公司
 SHENZHEN JINLING ELECTRONIC CO.,LTD
 Tel: 86-755-2997-5806/5802 Fax: 86-755-2997-5892