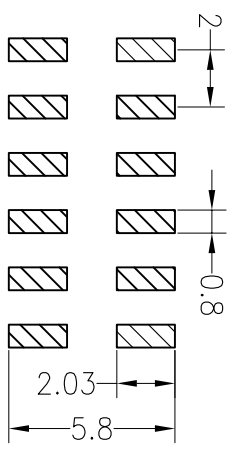
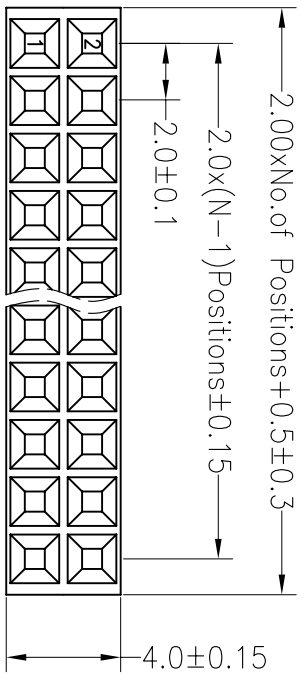




FILE NO: E362810

SPECIFICATIONS

Rated Current: 1.5AMP
 Contact Resistance: 20mΩ Max
 Withstand Voltage: 500V AC/DC
 Insulation Resistance: 1000MΩ Min
 Operation Temperature: -40°C to +105°C
 Contact Material: Brass
 Contact Plating: Au or Sn Over Ni
 Insulator Material: Polyester (UL94V-0)
 Standard: PA6T
 Max. Processing Temp: 230°C for 30-60 seconds
 (260°C for 10 seconds)

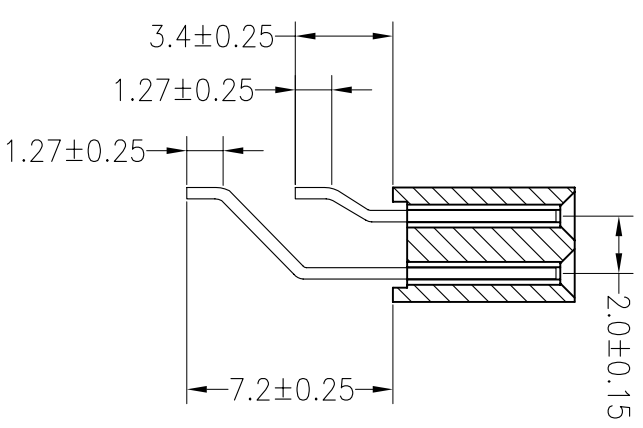
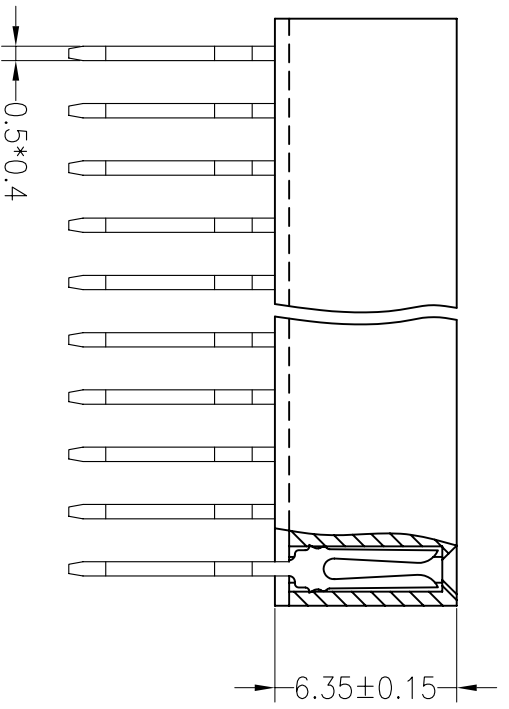


Recommended P.C.B Layout (Top Side)
 (PCB BOARD TOLERANCE ± 0.05)

Ordering Information

2363 02 XX X N XX Z Y X01

No. of Pins Per Row: 2*40
 Insulator Material Option:
 A=BK-PB6T
 B=BK-PA66
 C=BK-PA6T
 D=BK-PA46
 F=BK-LCP
 Post: W=With Post, N=W/O Post
 Contact Plating:
 G0:Gold Flash
 G2:5U" Gold
 G3:10U" Gold
 G4:15U" Gold
 G5:30U" Gold
 S0:Gold Flash/Tin
 SN:Tin
 Packing:
 O=PE Bag
 A=Troy
 T=Tube
 P=Tube+Cap
 R=Reel+Cap
 M=Reel+Mylar



A	REV	DATE	MODIFICATION DESCRIPTION	CHANGE	5	6	7	8	9
	A0	2012.04.18	NEW DRAWING						
B	OPERATION				DRAW	YTYuSheng	12.04.18	SCALE	FIT
C	X.X				±0.30			UNIT	mm
D	X.XX				±0.20	CHECK		SIZE	A4
E	X.XXX				±0.10			SHEET	1/1
F	Angle				±3°	APPROVE		PROJ.	
G	DIM				TOL			PART NO.	236302XXXXXXZYX01
TITLE:				PART NO.		236302XXXXXXZYX01		SHENZHEN JINLING ELECTRONIC CO.,LTD	
DATE				APPROVE		1/1		SHENZHEN JINLING ELECTRONIC CO.,LTD	
MODIFICATION DESCRIPTION				APPROVE		1/1		SHENZHEN JINLING ELECTRONIC CO.,LTD	
CHANGE				APPROVE		1/1		SHENZHEN JINLING ELECTRONIC CO.,LTD	

JILIN 深圳市锦凌电子有限公司
 SHENZHEN JINLING ELECTRONIC CO.,LTD
 Tel: 86-755-2997-5806/5802 Fax: 86-755-2997-5992

2.00PF H6.35mm 2XNpin 90° SMT